

Inspection Report

14.08.2017

Suprasil 2 plate

Customer: EGO
 PO No.: EGO n° OR-2017-28
 CIG No.:
Quantity: 12 pcs

Supplier: IMPEX HighTech
 Delivery date: 17-52
 Drawing No.: 029-036-34-20-9-01
Material: FS

Model: AN-029-036-34-20-9
PO-Number: PO-17114

| Parameter | Specifications | | Actual Data (measured) (mm) | | | | |
|-----------------|----------------|----------------|-----------------------------|------------------|------------------|------------------|------------------|
| | Nominal (mm) | Tolerance (mm) | 1 | 2 | 3 | 4 | 5 |
| Dimension | 20,0x34,0 | ±0,1 | 20,12x34,00 | 20,15x34,06 | 20,12x33,97 | 20,09x34,02 | 20,11x34,01 |
| Thickness | 9,0 | ±0,1 | 9,04 | 9,04 | 9,05 | 9,04 | 9,05 |
| Flatness | L/10 | | L/10,4; L/11,3 | L/10,49; L/11,69 | L/10,19; L/10,60 | L/11,52; L/10,13 | L/10,32; L/10,81 |
| Surface quality | polished | - | polished | polished | polished | polished | polished |
| Chamfer | 0,5 max | - | | | | | |

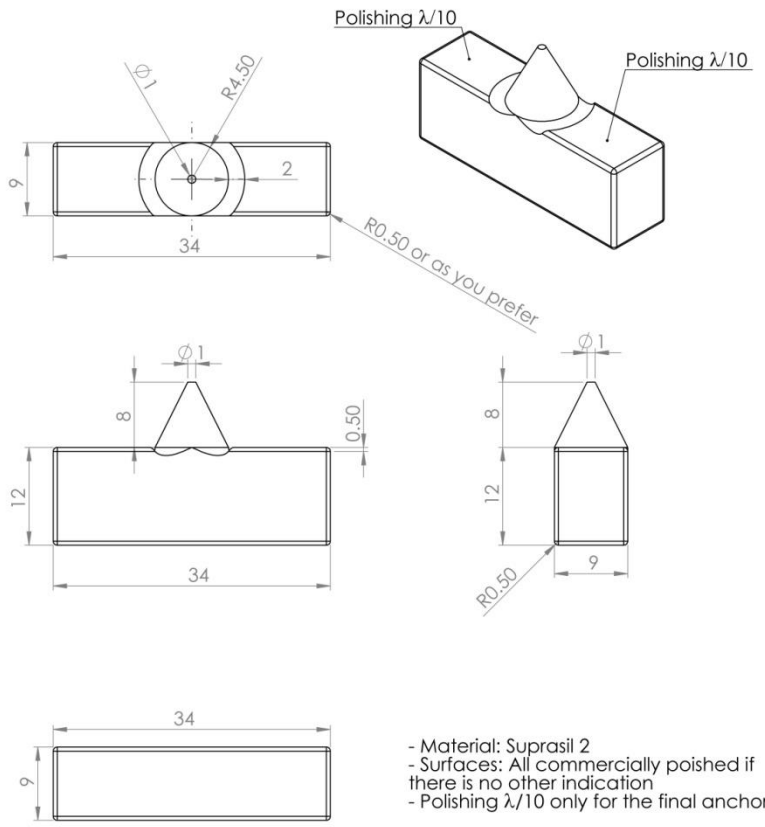
| Parameter | Specifications | | Actual Data (measured) (mm) | | | | |
|-----------------|----------------|----------------|-----------------------------|------------------|------------------|------------------|------------------|
| | Nominal (mm) | Tolerance (mm) | 6 | 7 | 8 | 9 | 10 |
| Dimension | 20,0x34,0 | ±0,1 | 20,13x34,00 | 20,13x33,97 | 20,12x33,99 | 20,13x33,99 | 20,14x33,97 |
| Thickness | 9,0 | ±0,1 | 9,05 | 9,07 | 9,04 | 9,06 | 9,06 |
| Flatness | L/10 | - | L/15,99; L/10,25 | L/10,21; L/10,05 | L/10,11; L/10,71 | L/10,80; L/10,29 | L/11,24; L/11,50 |
| Surface quality | polished | - | polished | polished | polished | polished | polished |
| Chamfer | 0,5 max | - | | | | | |

AN-029-036-34-20-9

| Parameter | Specifications | | Actual Data (measured) (mm) | |
|-----------------|----------------|----------------|-----------------------------|------------------|
| | Nominal (mm) | Tolerance (mm) | 11 | 12 |
| Dimension | 20,0x34,0 | ±0,1 | 20,15x34,00 | 20,12x34,00 |
| Thickness | 9,0 | ±0,1 | 9,05 | 9,04 |
| Flatness | L/10 | - | L/10,17; L/12,70 | L/10,05; L/11,01 |
| Surface quality | polished | - | polished | polished |
| Chamfer | 0,5 max | - | | |

QC-Inspector:

Anna Gerstner



| | | |
|-------------------------------|--------------------|-----------|
| NON SCALARE IL DISEGNO | | REVISIONE |
| IMPEX HighTech | | |
| Fused Silica plates with nose | | |
| Drawing-No.: | 029-036-34-9-20-01 | A4 |
| SCALA: 2:1 | | |